

# A-POP UP STANDING BANNERS

*Choose from a wide variety of*

## DESIGNS

### **Elevate your brand with our versatile Pop-Up Banners!**

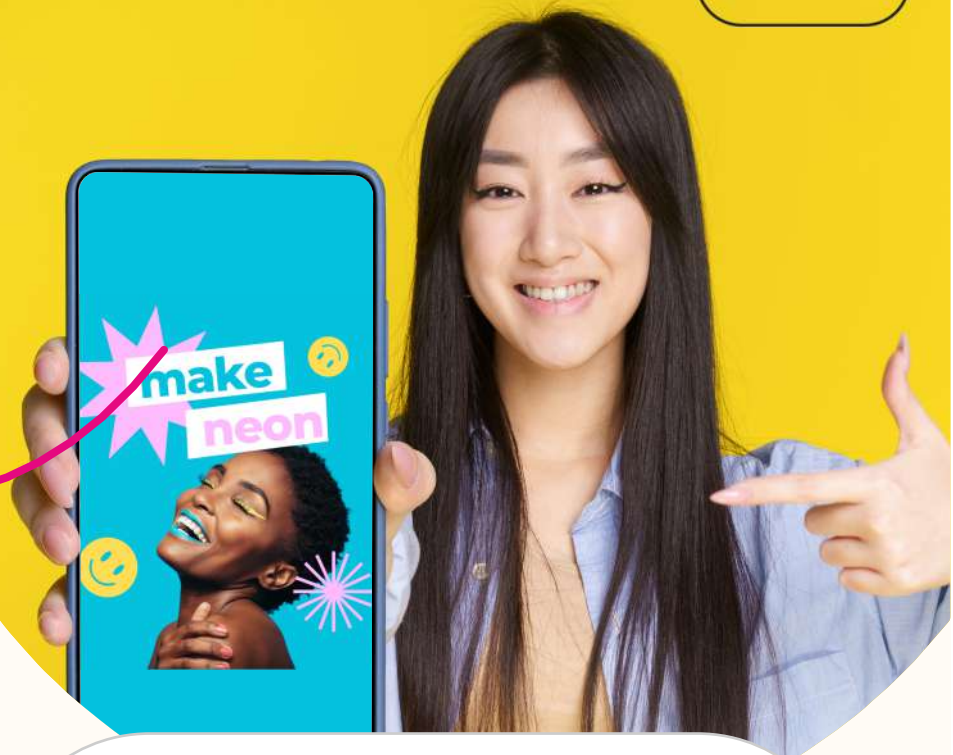
Available in various shapes (rectangular, circular, triangular, etc) and sizes from small to extra-large, they ensure a captivating display for any event or promotion. Built with high-quality materials for durability, these banners are easy to set up and transport, making them perfect for both indoor and outdoor use. Customize them with your logo and graphics to leave a lasting impression on your audience. Ideal for trade shows, exhibitions, and promotional events, our Pop-Up Banners are a must-have marketing tool to stand out and make a bold impact. Invest in success today!



- ✓ **Uses include:**  
Outdoor & Indoor Display  
Sports and Games  
Promotional Events  
and a lot more!

- 
- 
- 
- ✓ **260G Polyester Knitted Fabric**

- ✓ **Customized & Digital Print as per your choice**



- ✓ **Portable/ Foldable**



- ✓ **Available in different sizes:**  
Small, Medium, Large and X-large

# HORIZONTAL

Custom & digitally printed A-Pop up banner

## SPECIFICATIONS

Stock No.	Length	Width	Size	Weight
APOP-S01	47"	29"	Small	1.66 kg/ 3.66 lbs
APOP-M01	59"	29"	Medium	1.88 kg/ 4.13 lbs
APOP-L01	79"	40"	Large	3.46 kg/ 7.63 lbs
APOP-X01	102"	44"	X-Large	4.68 kg/ 10.32 lbs



# ELLIPTICAL

Custom & digitally printed A-Pop up banner

## SPECIFICATIONS

Stock No.	Length	Width	Size	Weight
APOP-S02	47"	29"	Small	1.66 kg/ 3.66 lbs
APOP-M02	59"	29"	Medium	1.88 kg/ 4.13 lbs
APOP-L02	79"	40"	Large	3.46 kg/ 7.63 lbs



# ROUND

Custom & digitally printed A-Pop up banner

## SPECIFICATIONS

Stock No.	Length	Width	Size	Weight
APOP-S03	31.5"	31.5"	Small	1.54 kg/ 3.39 lbs
APOP-M03	40"	40"	Medium	1.74 kg/ 3.84 lbs
APOP-L03	47"	47"	Large	2.04 kg/ 4.50 lbs



# TRIANGULAR

Custom & digitally printed A-Pop up banner

## SPECIFICATIONS

Stock No.	Length	Width	Size	Weight
APOP-S04	31.5"	31.5"	Small	1.54 kg/ 3.39 lbs
APOP-M04	40"	40"	Medium	1.74 kg/ 3.84 lbs
APOP-L04	47"	47"	Large	2.04 kg/ 4.50 lbs



# VERTICAL

Custom & digitally printed A-Pop up banner

## SPECIFICATIONS

Stock No.	Length	Width	Size	Weight
APOP-S05	47"	29"	Small	1.66 kg/ 3.66 lbs
APOP-M05	59"	29"	Medium	1.88 kg/ 4.13 lbs
APOP-L05	79"	40"	Large	3.46 kg/ 7.63 lbs



# TOWER-3 SIDED

Custom & digitally printed A-Pop up banner

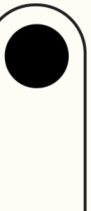
## SPECIFICATIONS

Stock No.	Length	Width	Size	Weight
APOP-S06	47"	29"	Small	1.89 kg/ 4.17 lbs
APOP-M06	59"	29"	Medium	2.17 kg/ 4.77 lbs
APOP-L06	79"	40"	Large	3.99 kg/ 8.80 lbs

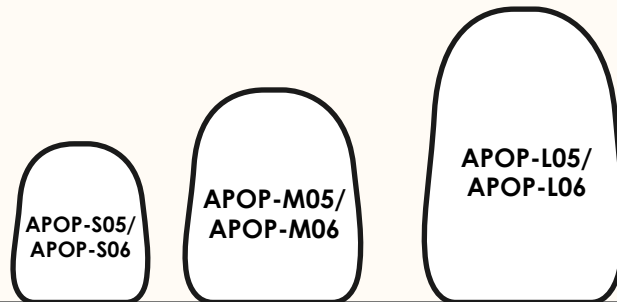


# SPECS.

A Pop-Up Banners



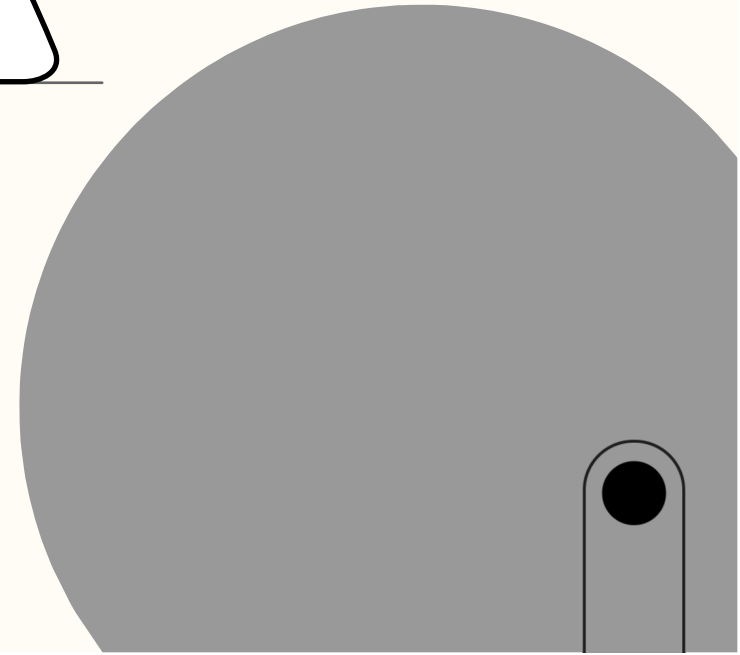
✓ Size ratio with respect to humans



•  
•  
•

# SIZE OPTIONS

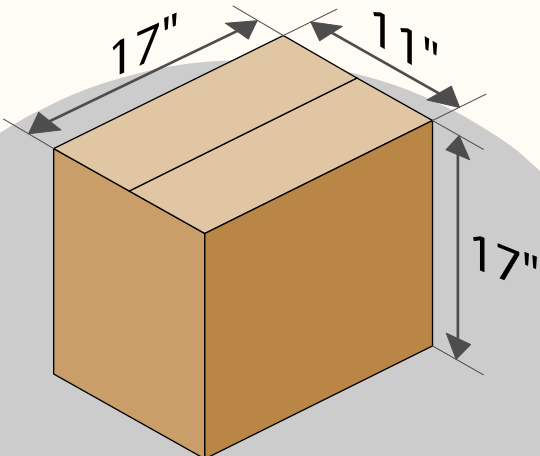
A Pop-Up  
Banners



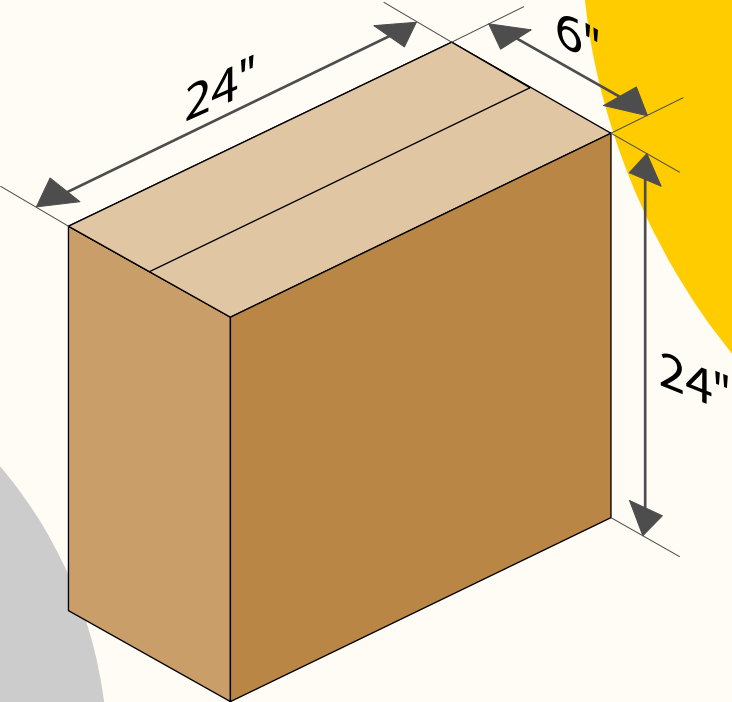
# SHIPPING DIMENSIONS

A Pop-Up Banners

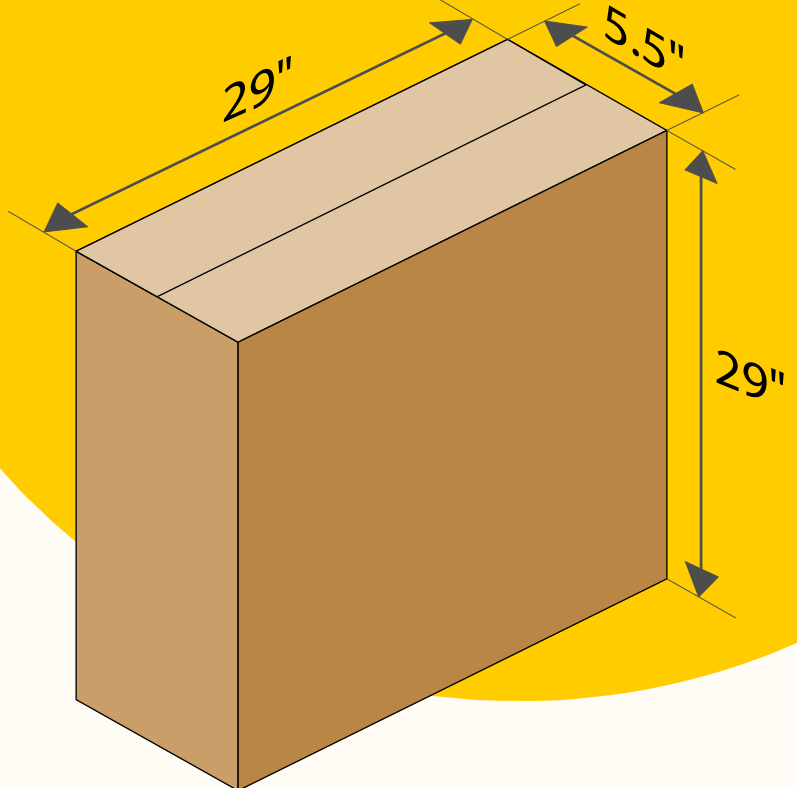
- ✓ Lead Time: 15-21 days for quantities up to 25 Units
- ☎ Please call for more quantities



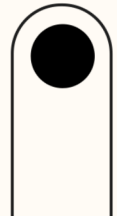
✓ Small A-frame: 47"x29"  
10 Set/ Carton -17 kg (37.48 lbs)



✓ Middle A-frame: 59"x29"  
5 Set/ Carton -16 kg (35.26 lbs)

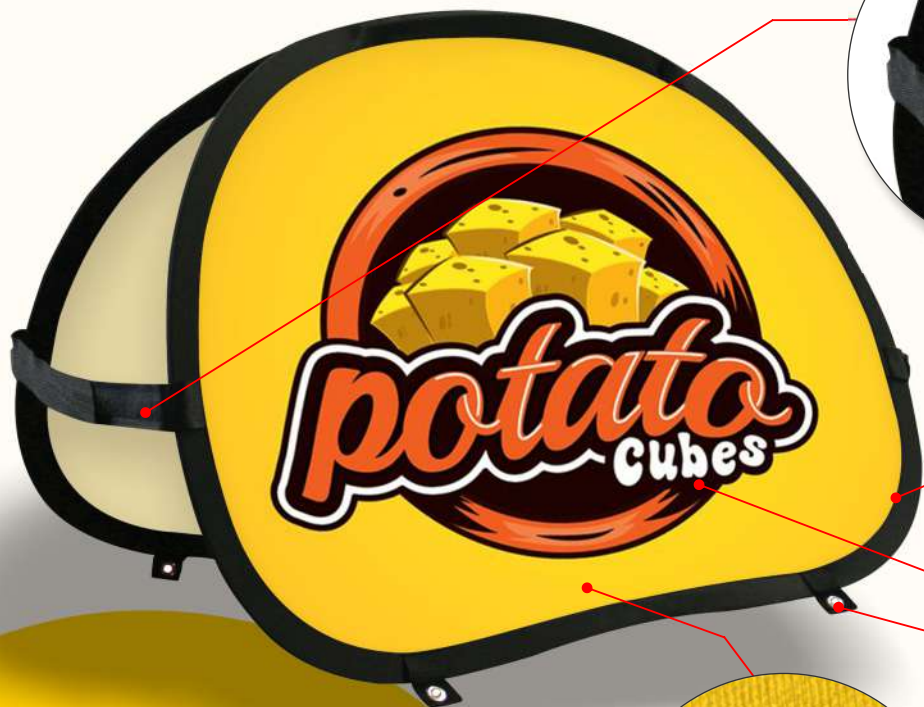


✓ Large A-frame: 79"x40"  
3 Set/ Carton -17 kg (37.48 lbs)

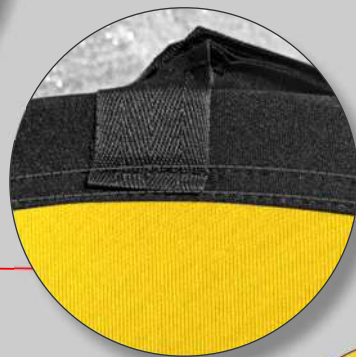


# SALIENT FEATURES

A Pop-Up Banner



Durable Velcro



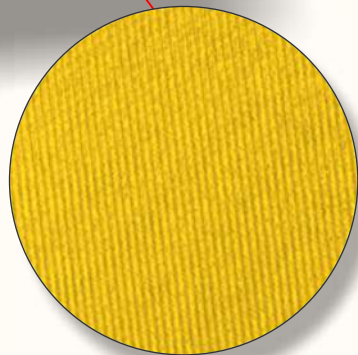
Strong and durable Stitching



Custom & Digital Print (Both sided)



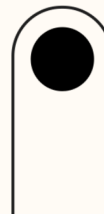
Good quality Steel Wire, hard to deform



Thick Elastic Fabric (260 GSM Polyester)



Brass Grommets and Galvanized Spikes



# WHATS INSIDE THE BOX?

A Pop-Up  
Banners



## ✓ A-Pop Up Banner

Custom and Digitally Printed  
High quality banner with both  
side prints



## ✓ Carrying Bag

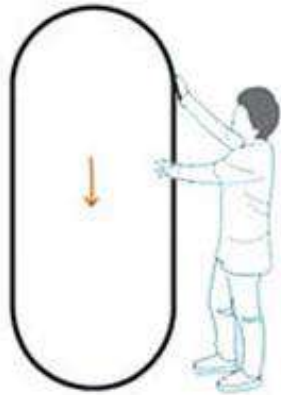
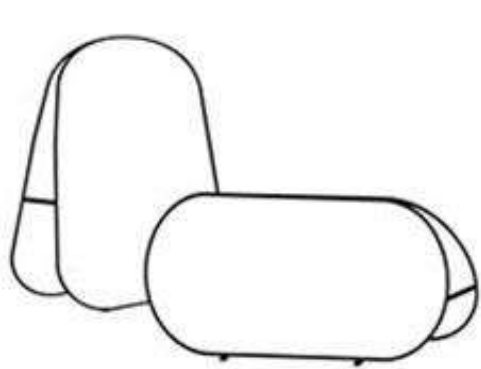
High Quality Oxford cloth  
material, easy to wrap and  
carry, can be recycled

## ✓ Four Ground Spikes

Galvanised ground spikes to provide  
a strong hold to the banner while  
connecting to the ground

# INSTRUCTIONS TO FOLD

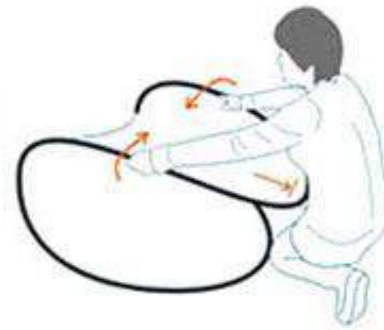
A Pop-Up  
Banners



1



2



3



4



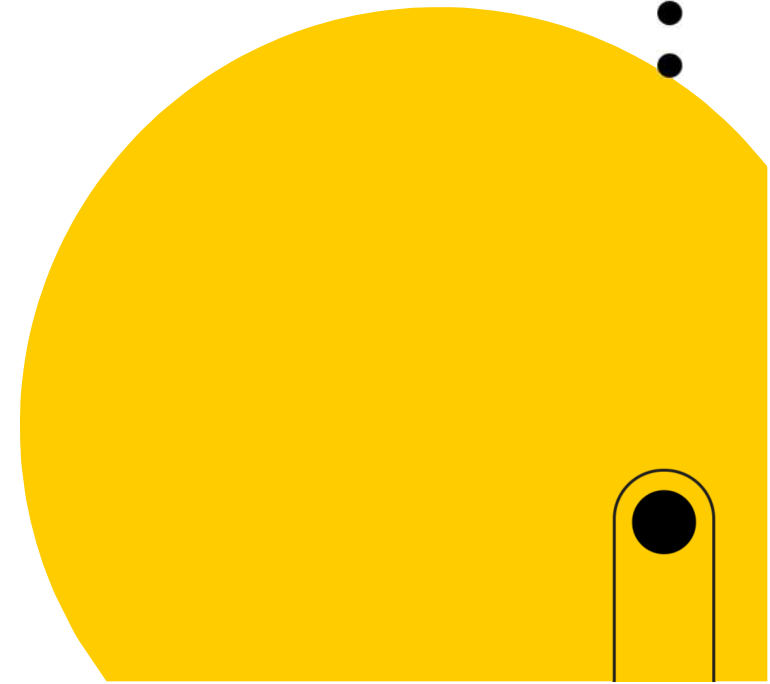
5



6



7







Four pop-up signs are displayed on a wooden dock:

- Sign 1 (Circular):** Features a basketball player in a white jersey with the number 0, jumping. Text includes "THUNDER" and "ALL RIGHTS RESERVED".
- Sign 2 (Tall, Teardrop-shaped):** Green background with "KYRIE IRVING" in large white letters. Features a basketball player in a white Celtics jersey with the number 11, holding a basketball.
- Sign 3 (Circular):** Blue background with a pink starburst. Text includes "make neon" and a yellow smiley face. Features a woman's face.
- Sign 4 (Circular):** Yellow background with a green starburst. Text includes "WANTED graphic designer" and "potato cubes" in a stylized font. Features a stack of yellow potato cubes.